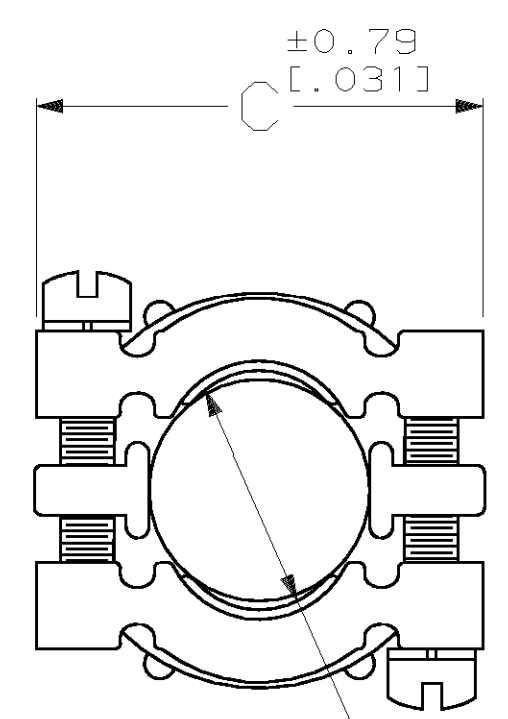
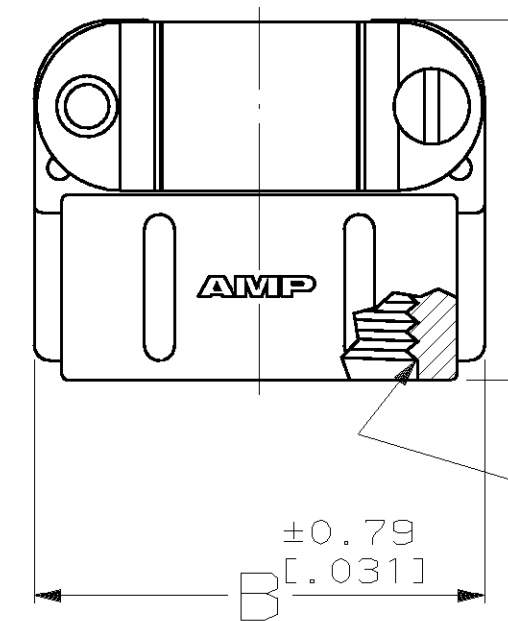


LOC		DIST		P		F		ZONE		LTR		REVISIONS		DATE	APPD
FT		4								K		REVISED PER EC 0G3B-0048-00		28-MAR-00	KW MC



±0.79  
[.031]  
C

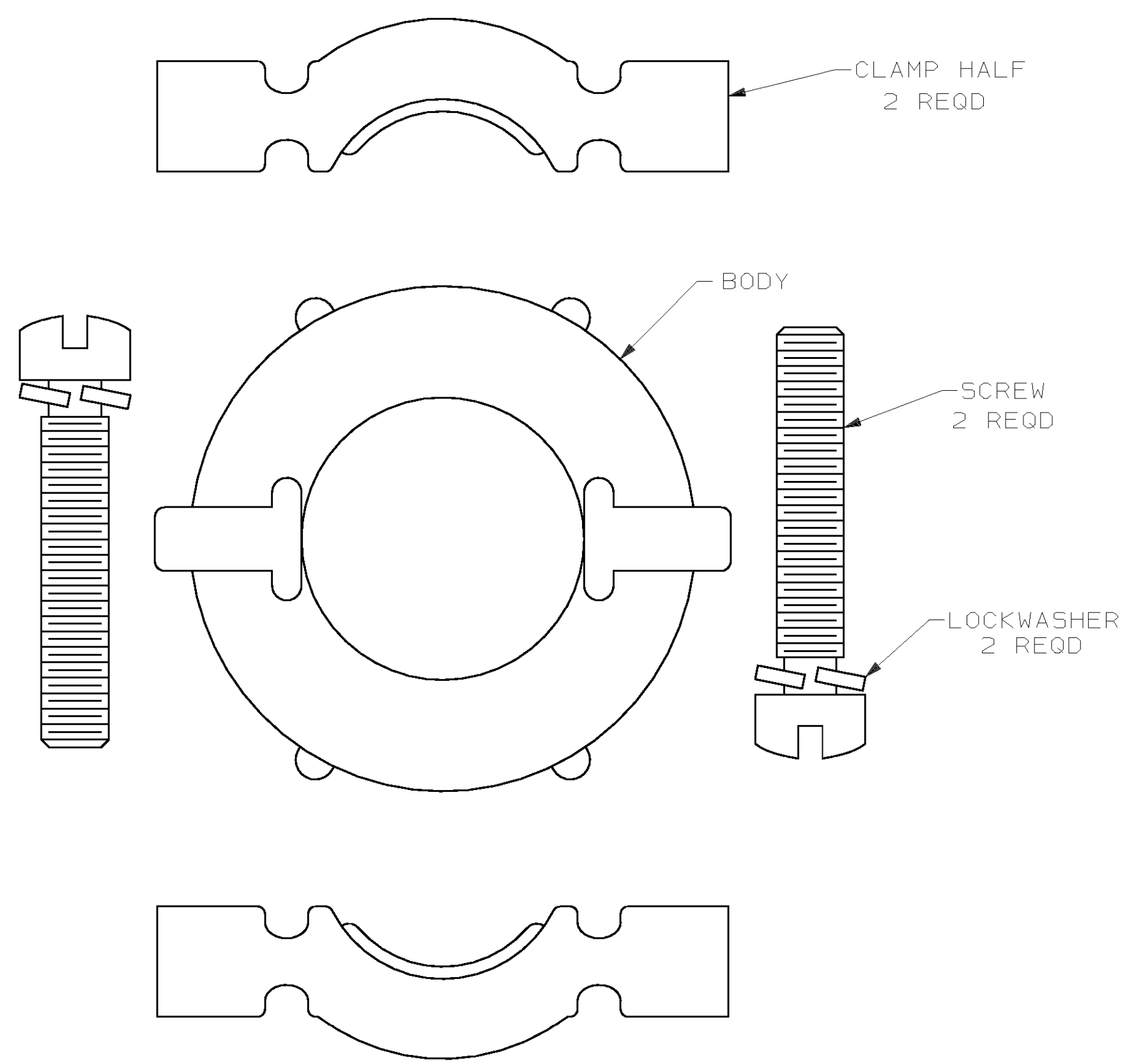
CABLE DIAMETER RANGE  
 D MAX CABLE DIA  
 E MIN CABLE DIA



±0.79  
[.031]  
A

F INTERNAL THREAD

ASSEMBLED VIEW  
 SCALE 2:1



CLAMP HALF  
 2 REQD

BODY

SCREW  
 2 REQD

LOCKWASHER  
 2 REQD

- ① MILITARY CONNECTORS USUALLY DESIGNATE A 3/4-20 THREAD FOR SIZE 14 CONNECTORS AND A 7/8-20 THREAD FOR SIZE 16 CONNECTORS. AMP'S SIZE 14 CONNECTORS WITH A 7/8-20 THREAD IS A DEVIATION FROM THIS STANDARD.
- ② BODY & CLAMPS: NICKEL PLATE.
- ③ BODY & CLAMPS: ZINC ALLOY.  
 SCREWS & WASHERS: STAINLESS STEEL.
- ④ PACKAGED IN BULK ONLY.

④	1	7/16-18UNEF-3B	11.43 [.450]	17.48 [.688]	42.88 [1.688]	43.10 [1.697]	26.19 [1.031]	28	1-208945-0
	1	7/16-18UNEF-3B	11.43 [.450]	17.48 [.688]	42.88 [1.688]	43.10 [1.697]	26.19 [1.031]	28	208945-9
	1	7/16-18UNEF-3B	11.43 [.450]	23.83 [.938]	42.88 [1.688]	43.10 [1.697]	26.19 [1.031]	28	208945-8
	1	3/16-18UNEF-3B	8.26 [.325]	19.05 [.750]	37.31 [1.469]	36.37 [1.432]	23.83 [.938]	22	208945-7
①	1	7/8-20UNEF-3B	5.72 [.225]	14.27 [.562]	29.59 [1.165]	29.85 [1.175]	23.83 [.938]	14	208945-5
		F	E	D	C	B	A	SHELL SIZE	PART NO

DO NOT SCALE PRINT. UNLESS SPECIFIED DIMENSIONS IN mm [INCHES] TOLERANCES ON: 2 PLC DEC ± - 3 PLC DEC ± - ANGLES ± -	DR 05/18/92 W.G.LENKER	AMP Incorporated Harrisburg, PA 17105-3608		
	CHK 6-1-92 R.STONE			NAME
MATERIAL	APPD 6-3-92 K.BEAVER	CABLE CLAMP KIT, UNASSEMBLED, CMC		
③	APPD 6-3-92 C.ROHDE			
FINISH	PRODUCT SPEC	SIZE	CAGE CODE	DRAWING NO
②	APPLICATION SPEC	C	00779	C-208945
	WEIGHT -	SCALE	4:1	SHEET
				1 OF 1

THIS DRAWING IS A CONTROLLED DOCUMENT FOR AMP INCORPORATED. IT IS SUBJECT TO CHANGE AND THE CONTROLLING ENGINEERING ORGANIZATION SHOULD BE CONTACTED FOR THE LATEST REVISION.